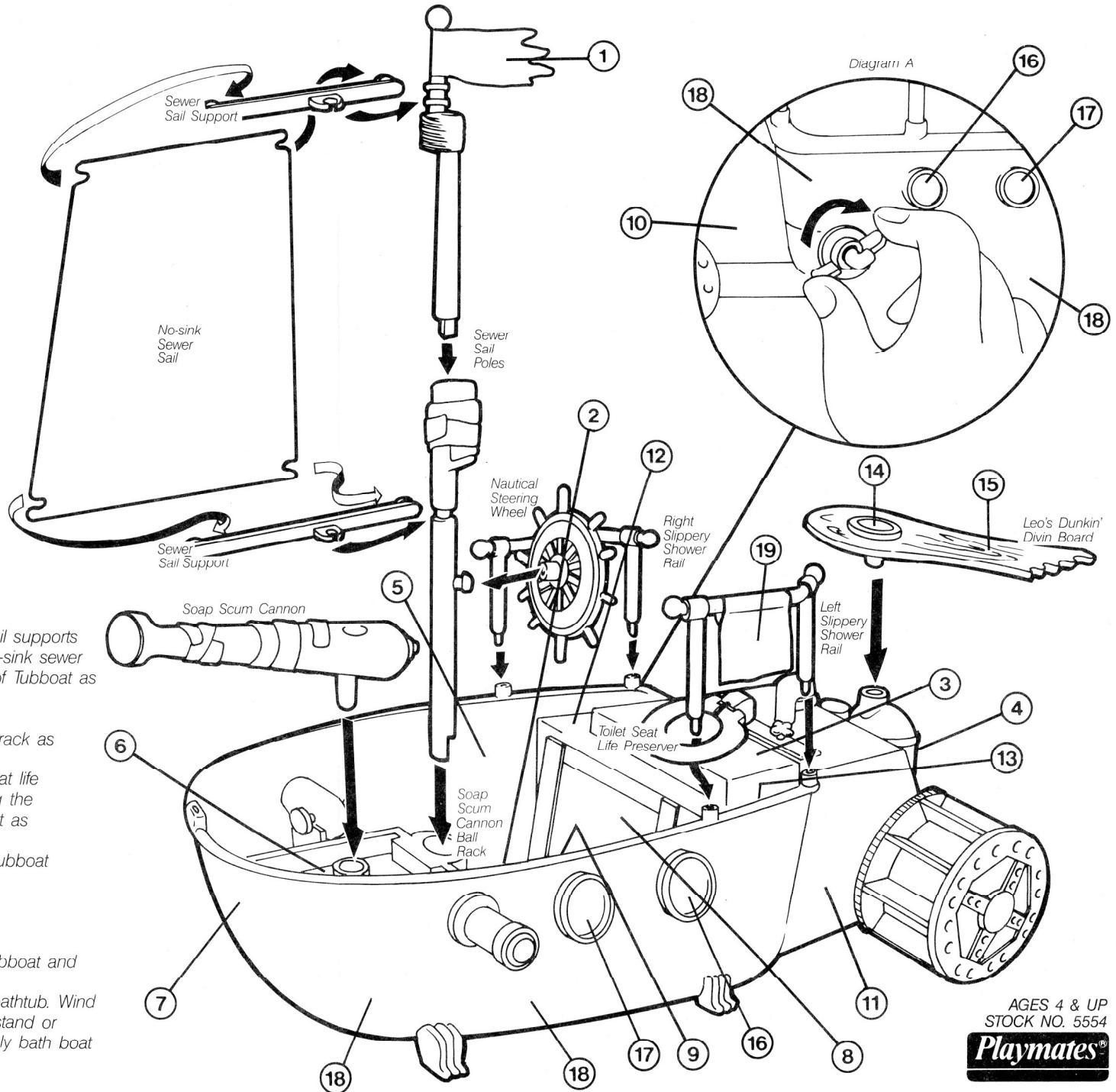
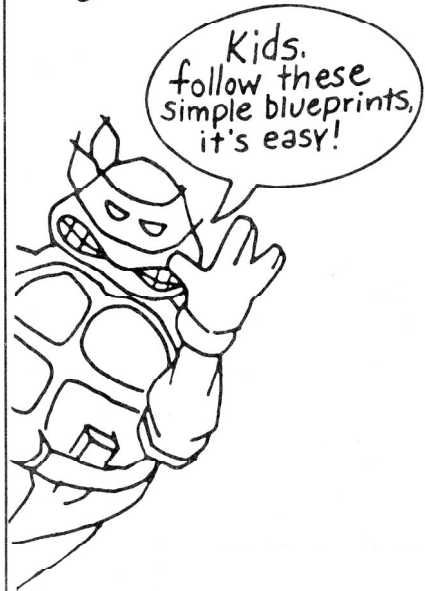


TEENAGE MUTANT NINJA TURTLES



Assembly

- Snap the 2 sewer sail poles together. Attach sewer sail supports to top and bottom of no-sink sewer sail. Assemble no-sink sewer sail to sewer sail pole, and plug entire unit into floor of Tubboat as shown.
- Snap nautical steering wheel to sewer sail pole.
- Plug soap scum cannon into soap scum cannonball rack as indicated.
- Place the left slippery shower rail through the toilet seat life preserver and snap into the left side of the boat. Plug the right slippery shower rail into the right side of the boat as shown.
- Snap Leo's Dunkin' Divin Board into the rear of the Tubboat as indicated.
- Place labels 1-18 as shown.

Directions

To take off for the seven soapy seas:

- Put Leonardo or your favorite Turtle teen inside the Tubboat and place his hands on the nautical steering wheel.
- Set Leo's Jolly Turtle Tubboat on the floor or in your bathtub. Wind up the scrub brush as indicated in diagram A, then stand or scoot back. Watch in wonder as this bodacious bubbly bath boat powers ahead making waves!

AGES 4 & UP
STOCK NO. 5554
Playmates